

MORELLA

rauch BLUE

rauch
BLUE

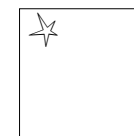




EASY
FIX



| Carcase | / | Front | Colour code | |
|---------------------------|---|--------------|-------------------------|-----------------------------|
| | | | Front High polish white | Front High polish soft grey |
| Carcase Sonoma oak colour | | A6L14 | AK665 | |
| Carcase Alpine white | | A9R24 | AP930 | |



High polish white



High polish soft grey



Alpine white



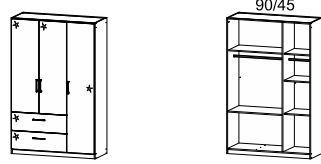
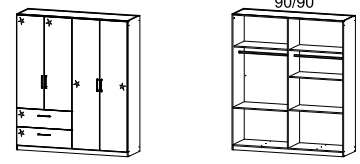
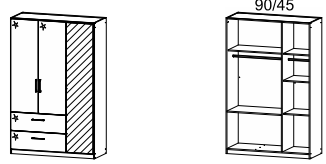
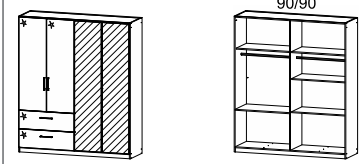
Sonoma oak colour

■ You will find matching extras after the wardrobes.

MORELLA

rauch BLUE

| Carcase / Front | Colour code | |
|---------------------------|-------------------------|-----------------------------|
| | Front High polish white | Front High polish soft grey |
| Carcase Sonoma oak colour | A6L14 | AK665 |
| Carcase Alpine white | A9R24 | AP930 |

| WARDROBES | | Hinged door wardrobes. Aluminium-coloured handles. | | | | |
|----------------------------------------------------|--|----------------------------------------------------|-----------------------------------------------------------------------------------|------------------------------------------------------------------------------------|-------------------------------------------------------------------------------------|-------------------------------------------------------------------------------------|
| You will find matching extras after the wardrobes. | | Price |  |  |  |  |
| | | | hinged door wardrobe | hinged door wardrobe | hinged door wardrobe | hinged door wardrobe |
| | | | 3-door, 2 drawers | 4-door, 2 drawers | 3-door, 1 mirror door, 2 drawers | 4-door, 2 mirror doors, 2 drawers |
| | | | ↔136 cm †210 cm ↗54 cm | ↔181 cm †210 cm ↗54 cm | ↔136 cm †210 cm ↗54 cm | ↔181 cm †210 cm ↗54 cm |
| Article | | | OKL5 | OKL6 | OKL7 | OKL8 |

Extras for HINGED door wardrobes – Please order with colour code **A0031**

| | Width 136 cm | | Width 181 cm | |
|-------------------------------------------------------------------------------------------------------|--------------|------------|--------------|------------|
| | left unit | right unit | left unit | right unit |
| Wardrobe units  | 90 | 45 | 90 | 90 |
| Hanging rail  | 9736 ✓ | ✗ | 9736 ✓ | ✗ |
| Shelf  | 9604 ✓ | ✗ | 9604 ✓ | ✗ |
| Set of 3 shelves  | ✗ | ✗ | ✗ | ✗ |

Matching extras can be found on the following pages.

EXTRAS HINGED

rauch BLUE

For hinged door wardrobes



Colour

Texline Natural-colour linen look




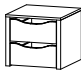
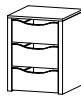
Colour code






A0031



Texline colour

| | |
|------------------------------------|-------------|
| Colour | Colour code |
| Textline Natural-colour linen look | A0031 |

| ELEMENT WIDTH ▶ | | 45 | 45 | 45 | 45 | 45 |
|-----------------|--|-----------------------------------------------------------------------------------|-----------------------------------------------------------------------------------|-------------------------------------------------------------------------------------|-------------------------------------------------------------------------------------|-------------------------------------------------------------------------------------|
| | |  |  |  |  |  |
| | | Shelf for unit width 45cm ↔43 cm ↓1,6 cm ↗45 cm | Shoe shelves with profiles for unit width 45cm ↔43 cm ↓1,6 cm ↗37 cm | hanging rail for unit width 45cm ↔43 cm ↓3 cm ↗2 cm | interior drawer with 2 drawers for unit width 45cm ↔43 cm ↓39 cm ↗45 cm | interior drawer with 3 drawers for unit width 45cm ↔43 cm ↓57 cm ↗45 cm |
| 1 pieces | | 9601 | | 9737 | 9843 | 9893 |
| Set of 2 | | 9F22 | 9FE2 | | | |
| Set of 3 | | 9602 | 9FE3 | | | |
| Set of 5 | | 9603 | | | | |

| ELEMENT WIDTH ▶ | | 67,5 | 67,5 | 67,5 | 67,5 | 67,5 |
|-----------------|--|-----------------------------------------------------------------------------------|-----------------------------------------------------------------------------------|-------------------------------------------------------------------------------------|-------------------------------------------------------------------------------------|-------------------------------------------------------------------------------------|
| | |  |  |  |  |  |
| | | Shelf for unit width 66cm ↔66 cm ↓1,6 cm ↗45 cm | Shoe shelves with profiles for unit width 66cm ↔66 cm ↓1,6 cm ↗37 cm | hanging rail for unit width 66cm ↔65 cm ↓3 cm ↗2 cm | interior drawer with 2 drawers for unit width 66cm ↔66 cm ↓39 cm ↗45 cm | interior drawer with 3 drawers for unit width 66cm ↔66 cm ↓57 cm ↗45 cm |
| 1 pieces | | 9F11 | | 9743 | 9864 | 9860 |
| Set of 2 | | 9F12 | 9FG2 | | | |
| Set of 3 | | 9F13 | 9FG3 | | | |
| Set of 5 | | 9F18 | | | | |

EXTRAS HINGED

rauch BLUE




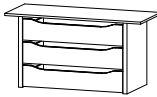
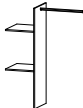
unit width 45, 67.5, 90, 112.5 cm

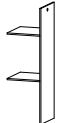
| Colour | Colour code |
|-----------------------------------|-------------|
| Texline Natural-colour linen look | A0031 |

| ELEMENT WIDTH ▶ | | 90 | 90 | 90 | 90 | 90 |
|-----------------|--|--------------------------------------------------------------|-----------------------------------------------------------------------------------|------------------------------------------------------------------|--------------------------------------------------------------------------------------|--------------------------------------------------------------------------------------|
| | | | | | | |
| | | Shelf for unit width 90cm ↔88 cm ↓1,6 cm ↗45 cm | Shoe shelves with profiles for unit width 90cm ↔88 cm ↓1,6 cm ↗37 cm | hanging rail for unit width 90cm ↔87 cm ↓3 cm ↗2 cm | interior drawer with 2 drawers for unit width 90cm ↔88 cm ↓39 cm ↗45 cm | interior drawer with 3 drawers for unit width 90cm ↔88 cm ↓57 cm ↗45 cm |
| 1 pieces | | 9604 | | 9736 | 9845 | 9895 |
| Set of 2 | | 9F21 | 9FH2 | | | |
| Set of 3 | | 9605 | 9FH3 | | | |
| Set of 5 | | 9606 | | | | |

| ELEMENT WIDTH ▶ | | 90 | 90 | 90 | |
|-----------------|--|---------------------------------------------------------------------------------------------------|--------------------------------------------------------------------------------------------------------------------|--------------------------------------------------------------------------------------------------|-----------------------------------------------------------|
| | | | | | interior division not possible for elements with drawers! |
| | | interior drawer for unit width 90cm with 3 drawers with shelves ↔88 cm ↓57 cm ↗45 cm | wardrobe interior division with clothes rail with 2 shelves for unit width 90cm ↔88 cm ↓147 cm ↗45 cm | wardrobe interior division with 2 shelves for unit width 90cm ↔45 cm ↓147 cm ↗45 cm | |
| Article | | 9898 | 9951 | 9934 | |

| | |
|-----------------------------------|-------------|
| Colour | Colour code |
| Texline Natural-colour linen look | A0031 |

| ELEMENT WIDTH ▶ | | 112.5 | 112.5 | 112.5 | 112.5 | 112.5 | |
|----------------------------------------------------------------------------------------|--|-----------------------------------------------------------------------------------|-----------------------------------------------------------------------------------|------------------------------------------------------------------------------------------|------------------------------------------------------------------------------------------|------------------------------------------------------------------------------------------------------------------------|-------------|
| Design constraints necessitate a shelf thickness of 2.2 cm on unit widths of 112.5 cm. | |  |  |  |  |  | |
| | | Shelf for unit width 112,5cm ↔111 cm †2,2 cm ↗48 cm | hanging rail for unit width 112,5cm ↔110 cm †3 cm ↗2 cm | interior drawer with 2 drawers for unit width 112,5cm ↔111 cm †39 cm ↗45 cm | interior drawer with 3 drawers for unit width 112,5cm ↔111 cm †57 cm ↗45 cm | wardrobe interior division with clothes rail with 2 shelves for unit width 112,5cm ↔110 cm †147 cm ↗48 cm | |
| | | 1 pieces | Price | 9F01 | 9709 | 9804 | 9806 |
| Set of 2 | | 9F02 | | | | | |
| Set of 3 | | 9F03 | | | | interior division not possible for elements with drawers! | |

| ELEMENT WIDTH ▶ | | 112.5 |
|-----------------|--|-----------------------------------------------------------------------------------|
| | |  |
| | | wardrobe interior division with 2 shelves ↔45 cm †147 cm ↗48 cm |
| | | Article |

interior division not possible for elements with drawers!

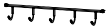



| GENERAL | | Hinged-door damper | |
|-----------|--|-------------------------------------------------------------------------------------|-------|
| | |  | |
| | | Hinged-door damper | |
| | | Set of 5 | Price |
| Set of 10 | | 9DD0 | |

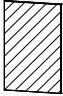
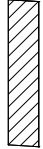
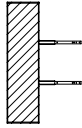
EXTRAS HINGED

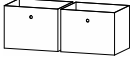
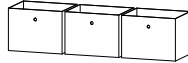
rauch BLUE

General


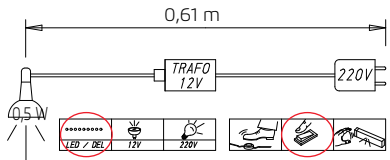

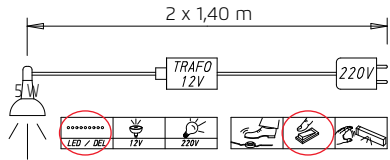
| | |
|-----------------------------------|-------------|
| Colour | Colour code |
| Texline Natural-colour linen look | A0031 |


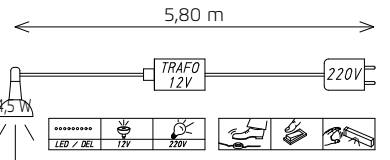
| GENERAL | | Hooks, trouser holder, coat hanger rail, tie rack | | | |
|---------|-------|-----------------------------------------------------------------------------------|-----------------------------------------------------------------------------------|-------------------------------------------------------------------------------------|-------------------------------------------------------------------------------------|
| | |  |  |  |  |
| | | hooks | trouser holder | coat hanger rail | tie rack |
| | | | | | swivelling |
| | | ↔35 cm ↓5 cm ↗5 cm | ↔25 cm ↓7 cm ↗46 cm | ↔7 cm ↓52 cm ↗28 cm | ↔32 cm ↓27 cm ↗6 cm |
| Article | Price | 9HL1 | 990H | 9767 | 9768 |

| GENERAL | | Mirrors | | |
|---------|-------|-----------------------------------------------------------------------------------|-----------------------------------------------------------------------------------|-------------------------------------------------------------------------------------|
| | |  |  |  |
| | | wall mirror | interior mirror | interior mirror |
| | | | for hinged doors | mirror width 31 cm hinged extends from 45 to 73 cm |
| | | ↔60 cm ↓90 cm ↗2 cm | ↔29 cm ↓130 cm ↗0 cm | ↔31 cm ↓115 cm ↗4 cm |
| Article | Price | 98A7 | 98S8 | 9408 |

| GENERAL | | Boxes | |
|---------|-------|-------------------------------------------------------------------------------------|-------------------------------------------------------------------------------------|
| | |  |  |
| | | fabric box | fabric box |
| | | set of 2 grey | set of 3 grey |
| | | 2x ↔38 cm ↓29 cm ↗29 cm | 3x ↔38 cm ↓29 cm ↗29 cm |
| Article | Price | 93G2 | 93G3 |

| | |
|-----------------------------------|-------------|
| Colour | Colour code |
| Texline Natural-colour linen look | A0031 |

| GENERAL | | Lighting | | | |
|---------|-------|-------------------------------------------------------------------------------------------------------------------------------------------------------------|------------------------------------------------------------------------------------|----------------------------------------------------------------------------------------------------------------------------------------------------------------------------|-------------------------------------------------------------------------------------------------------------------------------------------------------------------------------|
| | |  interior lights with motion sensor LED light ↔23 cm ↕3 cm ↗11 cm |  |  set of 2 LED lights swivelling for bed 2 x↔17 cm ↕49 cm ↗17 cm 99LP |  This product contains a light source of the energy efficiency class G. EPREL 762229 |
| Article | Price | 9T1B | | | |

| GENERAL | | Lighting | | | |
|----------|-------|----------------------------------------------------------------------------------------------------------------------------------------------------------|------------------------------------------------------------------------------------|--|----------------------------------------------------------------------------------------|
| | |  set of 2 LED lights aluminium Linea-Stixx ↔35 cm ↕6 cm ↗19 cm |  | | This product contains a light source of the energy efficiency class G. EPREL 766530 |
| Set of 2 | Price | 9L48 | | | |
| Set of 3 | Price | 9L49 | | | |

| | |
|-----------------------------------|-------------|
| Colour | Colour code |
| Texline Natural-colour linen look | A0033 |

| EXTRAS | | Plug | | | |
|---------|-------|---------------------------------------------------------------------------------------------------------------------------------------|--|--|--|
| | |  UK plug 3-piin socket ↔17 cm ↕6 cm ↗4 cm | | | |
| Article | Price | 9813 | | | |